

Service Information bulletin	Number 4	
date	16-11-2007	
product	Ride On	
subject	Collision Gas spring	
Serial numbers	500 - 799	

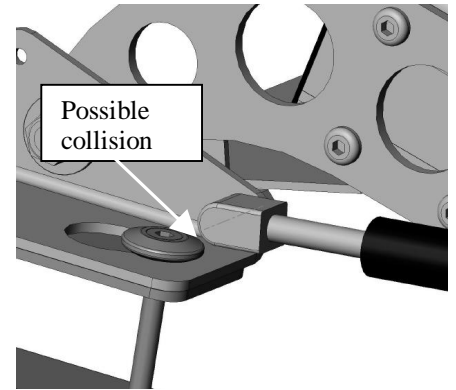


## Subject

Collision between ball joint from gas spring and fixation mushroom at all models:

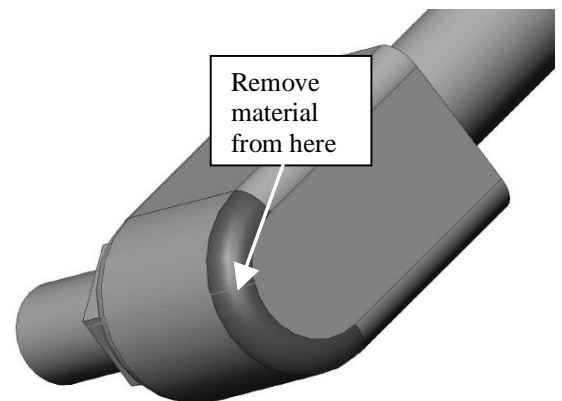
## Technical back ground information

The ramps in this batch have fitted gas springs from a different supplier. This caused a possible small collision between the ball joint from the gas spring and the fixation mushroom.



## Solution

Some times it is enough to open the ramp a few times to remove some plastic material from the ball joint. However this can in the worse case lead to breaking the ball joint. Therefore it is recommended to remove a little material from the ball joint in the area as shown in this picture.



## Instructions

Removing the material can be done with the gas springs fitted on the ramp, when the ramp is removed from the vehicle, with a grinder or rasp.