

AXSTEC Steps

Fixed



The **AXSTEC fixed step** is a fixed side- or rear mounted step.

The rubber edge gives it a pleasant soft front.

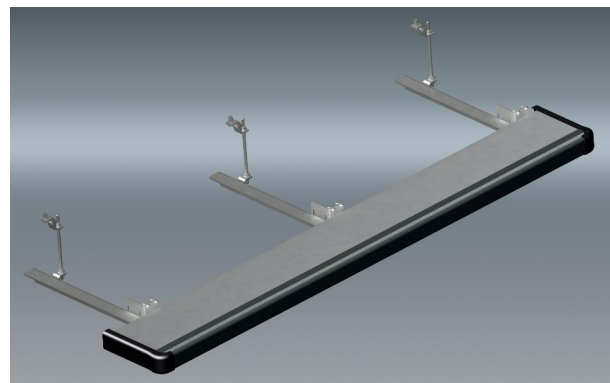
The design in Aluminium, plastic corners and rubber front edge gives it a modern appearance fitting in well with the design of today's vehicles.

AXSTEC fixed step Features:

- Flexifit mounting brackets.
- Step surface: Aluminium non-slip + rubber front edge.

AXSTEC fixed step Options:

- Yellow LED light strip at front edge of the step.



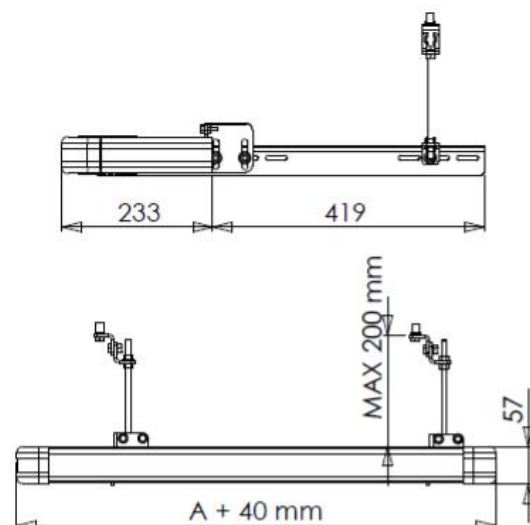
AXSTEC fixed step Specifications:

Dimensions:

Type	width (A)	Weight	Brackets
AXS 700F	700	4.2 Kg	2
AXS 1200F	1200	5,8 Kg	2
AXS 1600F	1600	6.5 Kg	3
AXS 1800F	1800	6.8 Kg	3
AXS 2000F	2000	7.1 Kg	3

Max Load: 150 Kg

Dimensions in mm



AXSTEC Steps

Fixed

Rev 0 d.d.21-09-'09